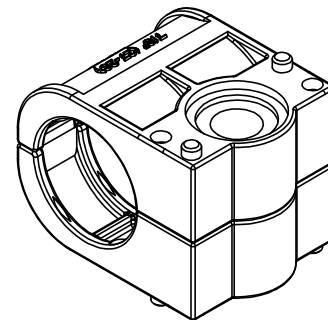
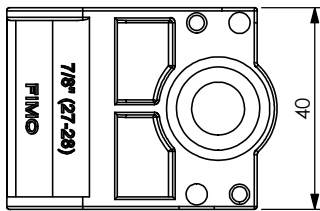
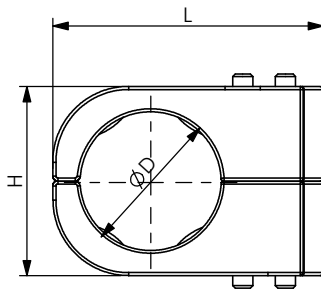


PRODUCT DATA SHEET



A) SPECIFICATIONS

Calibrated double saddles
Fiberglass P.P. U.V. resistant

B) RESISTANCE TEST

Operating temperature: -50°C +80°C

C) DELIVERY MODALITIES

Packing in boxes. Label indicating:
product code, article, quantity,
production batch, FIMO logo and figure.
(Customer code on request).

CODE	ARTICLE	ø D	H	L	BAG	BOX	WEIGHT
61 3309 4095	SEM 9M	7,5 - 9,5	20	37	20	500	18
61 3309 4112	SEM 12	11 - 12	27	42	20	500	23
61 3309 4014	SEM 1/2"S	13 - 14	27	42	20	500	23
61 3309 4012	SEM 1/2" (17)	16 - 17	27	42	20	500	22
61 3309 4058	SEM 5/8" (23)	21 - 23	38	54	20	500	36
61 3309 4078	SEM 7/8" (28)	27 - 28	38	54	20	500	33
61 3309 4114	SEM 1.1/4" (40)	39 - 40	54	66	20	500	52
61 3309 4158	SEM 1.5/8" (52)	50 - 52	66	78	20	100	64

RI	DATE	DR	DATE	AP	Description:
02					SEM - Calibrated single saddles
01					
00	31/03/16	G.S.	31/03/16	A.V.	
1 ST EMISSION					
					Use: Calibrated saddles for coaxial cables to use with universal cable clamps