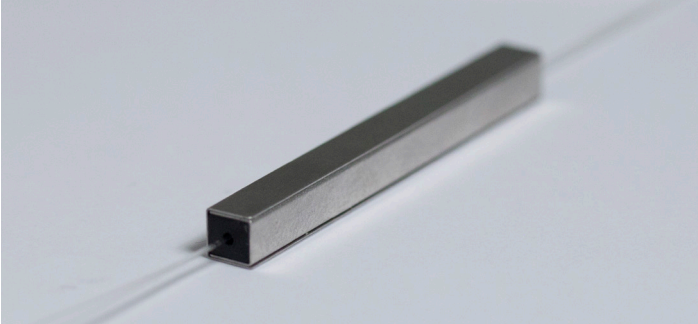


# 2x2 PLC SPLITTER SM 1260-1660nm G.657A2



PLC splitters used planar chip-based technology.

They allow end users to share a single interface.

This technology ensures very high stability in the full range of operating wavelengths from 1260 to 1660nm.

2X2 splitters can be used in Central Office OLT output to provide testing port.

## APPLICATIONS

- FTTX distribution
- PON Networks
- CATV

## BENEFITS

- Robust and compact boxes
- Low Insertion loss
- Low polarization dispersion loss
- Very good channel to channel uniformity

## CARACTÉRISTIQUES TECHNIQUES

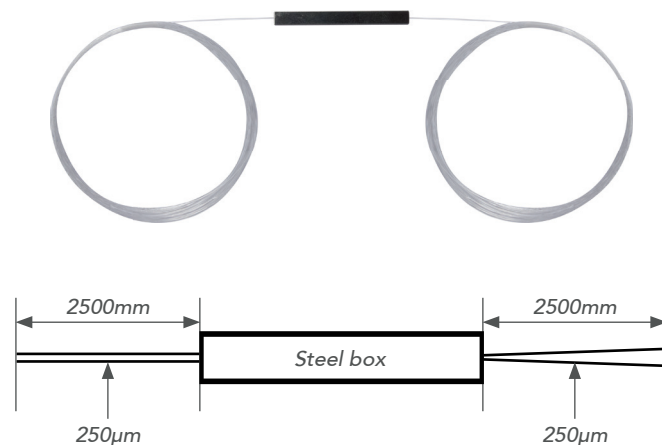
	2x2
Wavelength range	1260-1660nm
Insertion loss (dB)	< 4,2
Uniformity (dB)	< 1
PDL (dB)	< 0,3
Reflectance	> 55dB
Directivity	> 55dB
Operating température	-40 to +85°C
Storage température	-40 to +85°C
Fiber type	G.657A2

## VERSIONS

- 250µm steel box
- 900µm steel box

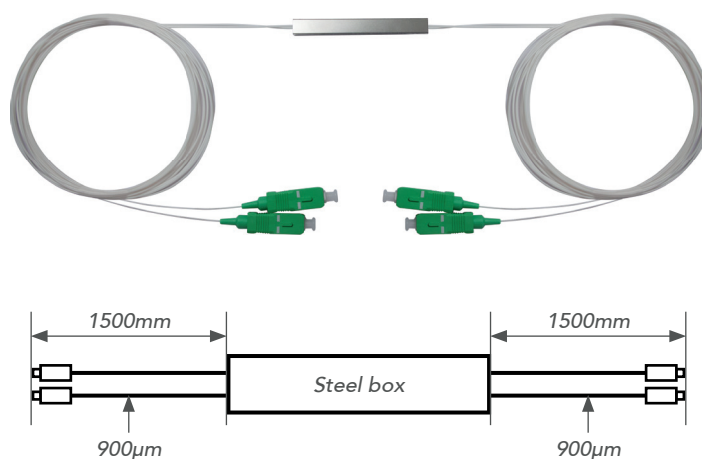
## DESCRIPTION : 250µm steel box

- Inputs: incoled bare fiber
- Outputs: incoled bare fiber
- Dimensions (L x W x H): 40 x 4 x 4mm



## DESCRIPTION : 900µm steel box

- Inputs : SC/APC
- Outputs : SC/APC
- Dimensions (L x W x H): 60 x 7 x 4mm



## ORDERING INFORMATION

CODE	DESCRIPTION	PACKAGING
09995	PLC Splitter 2x2_40x4x4 mm _250µm_2.5m_G.657A2 bare-bare	unit
13392	PLC Splitter 2x2_60x7x4 mm _900µm_1.5m_G.657A2 SC/APC-SC/APC	unit